

# H. Lee **SafeSheath**<sup>®</sup>

*Peel-away, hemostatic  
introducer system with infusion  
side port for vascular access.  
Available in 5–12.5 French sizes.*

## Features:

- Innovative peel-away sheath with break-away hemostasis valve
- Permits lead exchange of multiple lead insertions without further interventions or “sticks”
- Side port for “keep open” infusion and contrast injection
- Reduces risk of blood loss and air embolism
- Improved dilator/sheath transition to reduce vein entrance forces
- Handles like standard tear-away introducer
- Wide range of French sizes available
- Standard 13cm length as well as 25cm for atypical venous access sites

■ Side port for infusion and contrast injection

■ Handles like standard tear-away introducer

■ Peel-away sheath with break-away hemostasis valve

SafeSheath Long

SafeSheath



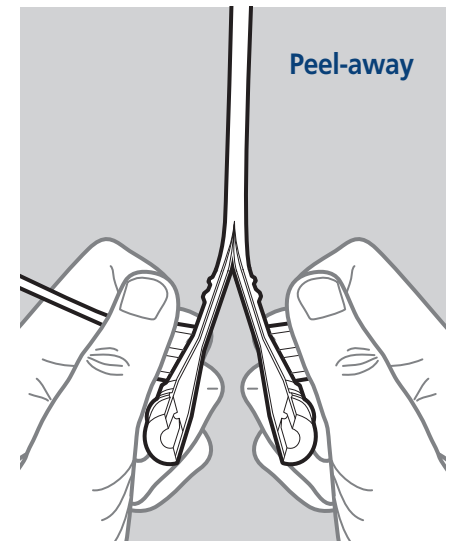
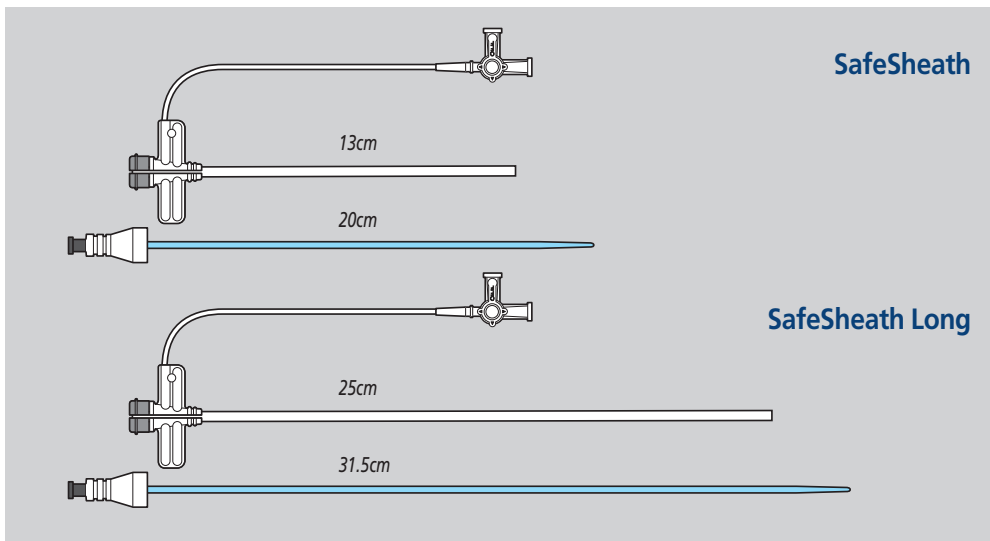
# SPECIFICATIONS

The convenience of a tear-away introducer combined with a hemostatic valve preventing back bleeding and greatly reducing the possibility of air embolism. The SafeSheath® is introduced into the subclavian vein in the standard manner. A hemostatic valve seals the introducer during lead introduction and positioning.

SafeSheath® is the intelligent choice for your vascular access needs.

**SafeSheath** The industry standard—combines introducer with a hemostatic valve to prevent back-bleeding and air embolization. Designed primarily for left-sided venous access, the 13cm SafeSheath is pre-scored, ensuring a clean, even peel each time, greatly simplifying sheath removal after lead or catheter placement. The leak-free valve and snap-fit dilator hub make SafeSheath the leader when it comes to all your implantation needs.

**SafeSheath Long** When a longer introducer is required there's the 25cm SafeSheath Long, providing sheath access beyond the right subclavian-SVC junction, from both the left cephalic and subclavian veins. The longer introducer helps when upgrading existing systems by the addition of new leads and for atypical venous access sites—axillary or femoral. It also acts as a 'supporting' introducer for the introduction of defibrillator leads.



Model	Description	Dilator Length	Model	Description	Dilator Length
<b>SafeSheath</b>			<b>SafeSheath Long</b>		
HLS-1005	5.0F x 13cm Tear-away valved sheath system w/side port	20cm	HLS-2507	7.0F x 25cm Tear-away valved sheath system w/side port	31.5cm
HLS-1006	6.0F x 13cm Tear-away valved sheath system w/side port	20cm	HLS-2508	8.0F x 25cm Tear-away valved sheath system w/side port	31.5cm
HLS-1007	7.0F x 13cm Tear-away valved sheath system w/side port	20cm	HLS-2509	9.0F x 25cm Tear-away valved sheath system w/side port	31.5cm
HLS-1008	8.0F x 13cm Tear-away valved sheath system w/side port	20cm	HLS-2510	10.0F x 25cm Tear-away valved sheath system w/side port	31.5cm
HLS-1008.5	8.5F x 13cm Tear-away valved sheath system w/side port	20cm	HLS-2510.5	10.5F x 25cm Tear-away valved sheath system w/side port	31.5cm
HLS-1009	9.0F x 13cm Tear-away valved sheath system w/side port	20cm	HLS-2511	11.0F x 25cm Tear-away valved sheath system w/side port	31.5cm
HLS-1009.5	9.5F x 13cm Tear-away valved sheath system w/side port	20cm	<i>Guide Wire for SafeSheath Long is 80cm long with O.D. of .038"</i>		
HLS-1010	10.0F x 13cm Tear-away valved sheath system w/side port	20cm			
HLS-1010.5	10.5F x 13cm Tear-away valved sheath system w/side port	20cm			
HLS-1011	11.0F x 13cm Tear-away valved sheath system w/side port	20cm			
HLS-1012	12.0F x 13cm Tear-away valved sheath system w/side port	20cm			
HLS-1012.5	12.5F x 13cm Tear-away valved sheath system w/side port	20cm			

*Guide Wire for standard SafeSheath is 45cm long with O.D. of .038"*

All **SafeSheath** Introducer Systems includes sheath, dilator, needle and syringe. The H. Lee SafeSheath®, hemostatic splittable sheath is protected by Patent Insurance through 2011. USA Patents 5,125,904, 5,312,355 and 5,409,463. Canadian Patent 2,112,394. European Patent EP0593685. SafeSheath is a registered trademark of Pressure Products, Inc.

## Pressure Products, Inc.

1861 N. Gaffey Street Suite B San Pedro, CA 90731  
 (800) 600-4973 (310) 547-4973 Fax (310) 547-4760 www.pressure-products.com



P R O D U C T I N F O R M A T I O N